

UML State Chart Diagrams Tutorial for ECE355

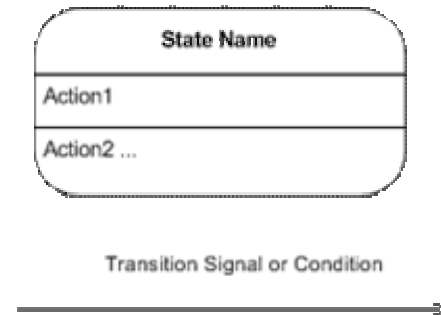
Ali Razavi

State chart Diagrams

- Useful for documenting state machines
- Specifies state transitions inside ONE OBJECT

Basic Elements and Notations

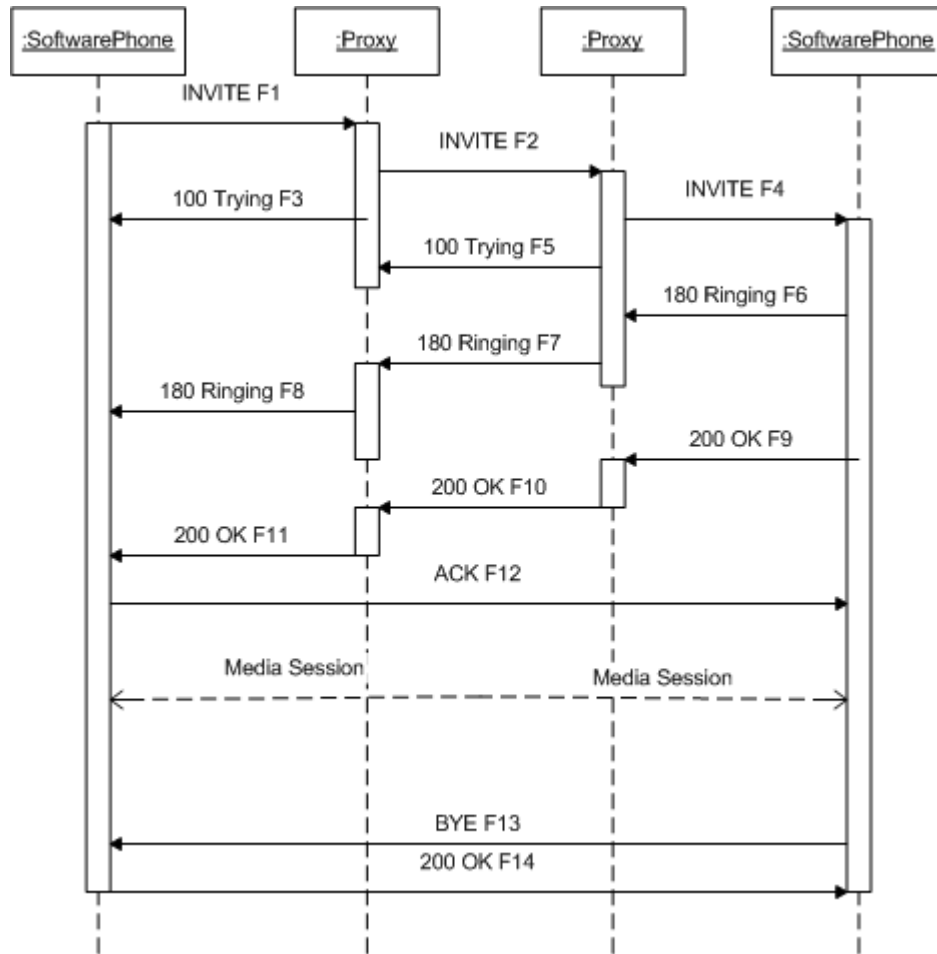
- State blocks
- Transition Arrows
- Initial State
- End State



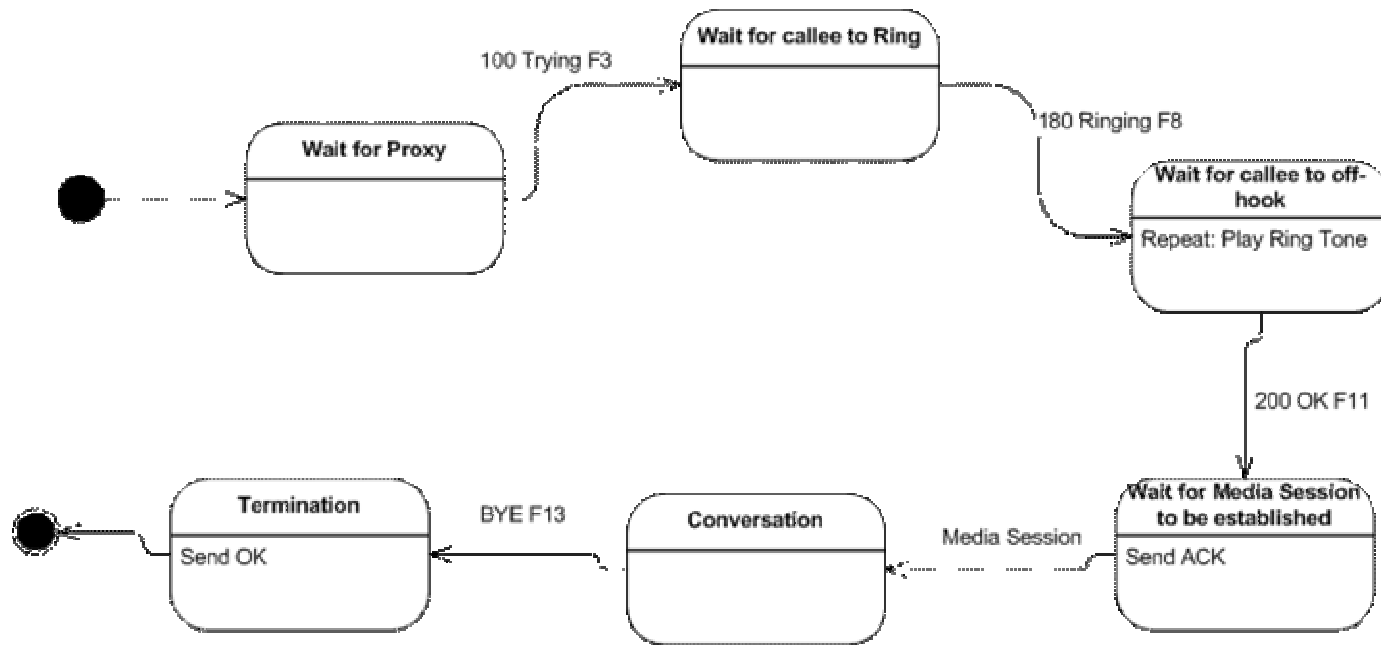
Case Study: SIP Session Initiation Protocol, A sample scenario

- Consists of a
 - Caller
 - Callee
 - Caller Side Proxy
 - Callee Side Proxy
- Callee Terminates the Call
- Caller Initiates the call

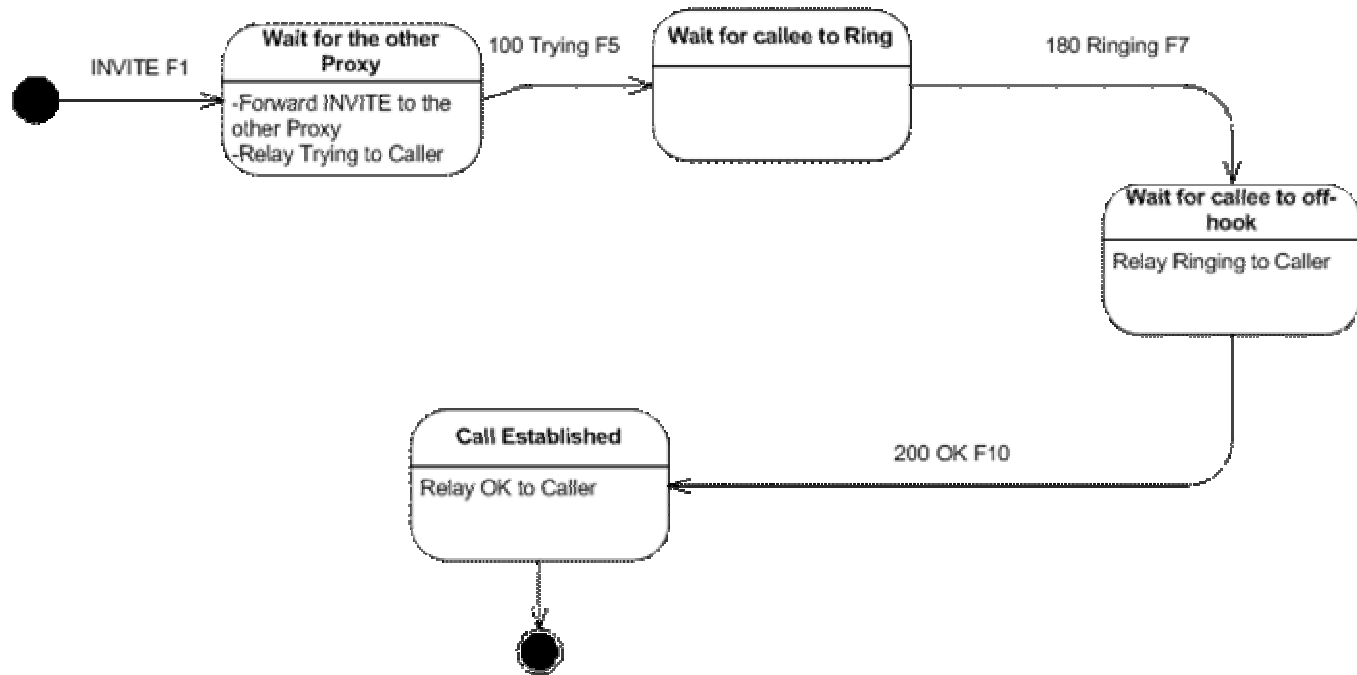
SIP Protocol



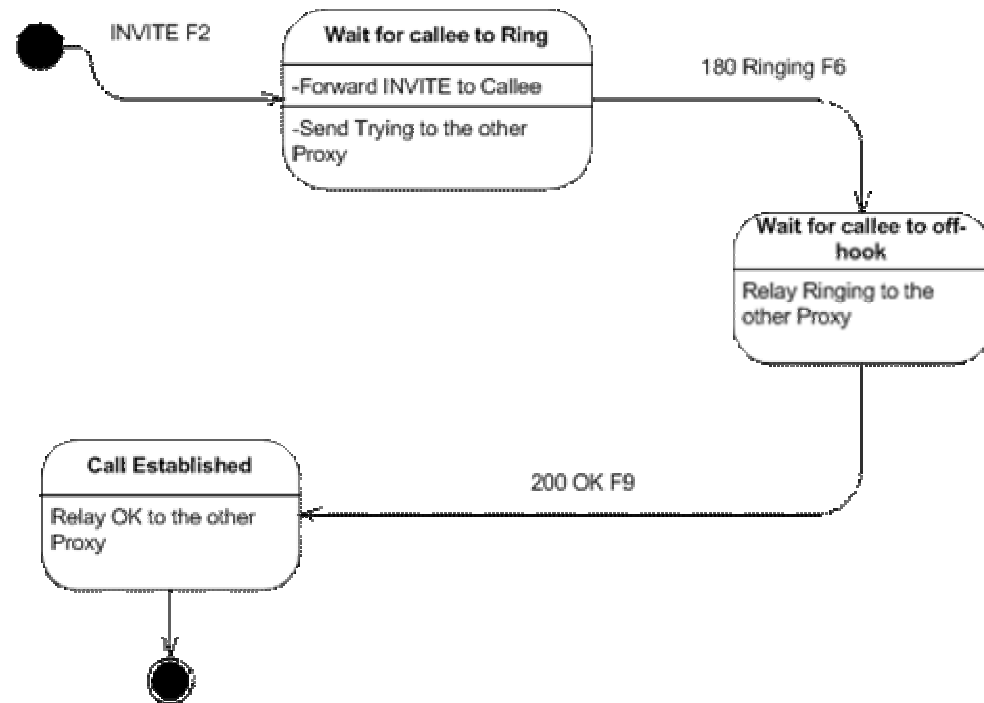
Caller State Chart Diagram



Caller-side Proxy State chart Diagram



Callee-Side Proxy State chart Diagram



Callee State chart Diagram

